

# LIFT

# MAEDAMC305 (2.9t x 2.5m)



- Robust engineered body for strong, reliable performance
- 12.5m boom with optional 500kg searcher hook
- Only 1280mm wide
- Programmable moment limiter
- Tilt sensor / Alarm
- Radio Remote Control
- 64m of rope on a single fall
- Variable Hi/Low speed

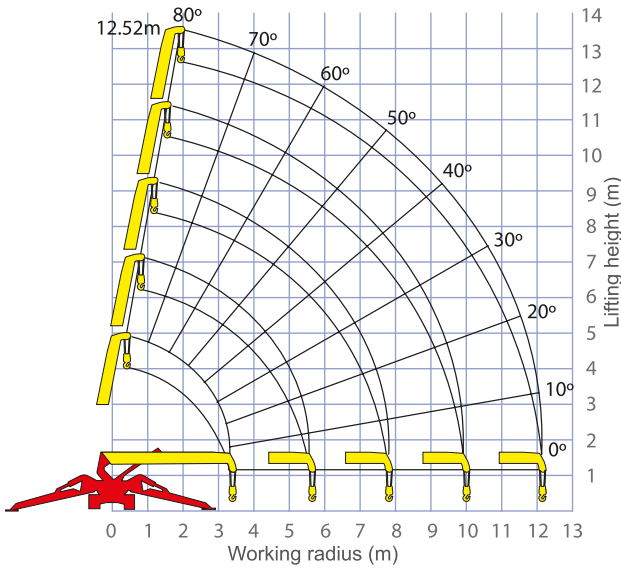
## Crane Specifications

Crane capacity	capacity:	2.9t x 2.5m
Max working radius	max:	12.16m
Max lifting height	approx:	12.52m
Rope length	max:	64m 1 fall, 32m 2 fall, 16m 4 fall
Dimensions	folded:	4285mm x 1280mm x 1695mm
Weight	unladen:	4040kg
Point loadings	Due to the many variables involved, point loadings are only available on request	
Hook speed	approx:	13.5m / min
Telescopic system	boom length:	3.65m - 12.45m
	telescoping speed:	8.79m / 38sec
	boom type:	Fully automatic 5 section pentagonal boom
Derricking angle/speed	approx:	0 - 80° / 21 seconds
Slewing angle/speed	approx:	360° (continuous) 2.4min (rpm)
Traction system	drive:	Hydraulic motor driven stepless speed changer
	travel speed:	2.8km/h
	gradability:	23°
	track ground length:	1750mm
	track ground pressure:	0.37 kg/cm2
	track width:	300mm
Engine	manufacturer:	Maeda Cranes
	fuel:	Diesel / LPG / electric
	maximum output:	15.2KW, 2500RPM
	starting method:	Key / pull start
	tank capacity:	40L
Standard equipment	overwinding alarm, computer controlled intelligent voice warning system, radio remote control, intelligent throttle activation	
Optional equipment	Searcher hook attachment, low marking wheels	



**Optional Searcher Hook**

# Working Range



## First Stage

### FIRST STAGE EXTENDED 3.7-5.95M BOOM LENGTH

Working radius m	<2.5	3	3.5	4	4.5	5	5.62
Outrigger Max kg	2980	2390	1990	1710	1490	1340	1160
Outrigger Mid kg	2980	2360	1960	1680	1380	1140	950
Outrigger Min kg	2980	2350	1800	1430	1140	950	790

## Second Stage

### SECOND STAGE EXTENDED 8.14M BOOM LENGTH

Working radius m	2.7	3	3.5	4	4.5	5	5.5	6	7	7.82
Outrigger Max kg	2270	2120	1680	1440	1260	1110	990	880	730	630
Outrigger Mid kg	2270	2090	1680	1420	1240	1070	950	800	610	520
Outrigger Min kg	2270	2090	1680	1370	1120	910	790	670	510	430

## Third Stage

### THIRD STAGE EXTENDED 10.31M BOOM LENGTH

Working radius m	4	4.5	5	6	7	8	9	9.9
Outrigger Max kg	1080	985	880	770	670	570	500	435
Outrigger Mid kg	1060	950	860	750	630	490	410	350
Outrigger Min kg	1060	950	860	680	530	420	340	300

## Fourth Stage

### FOURTH STAGE EXTENDED 12.45M BOOM LENGTH

Working radius m	<4.5	5	6	7	8	9	10	11	12.16
Outrigger Max kg	790	660	520	430	380	340	310	280	260
Outrigger Mid kg	780	650	500	410	360	320	290	260	250
Outrigger Min kg	780	650	500	410	360	320	290	240	210

# Dimensions

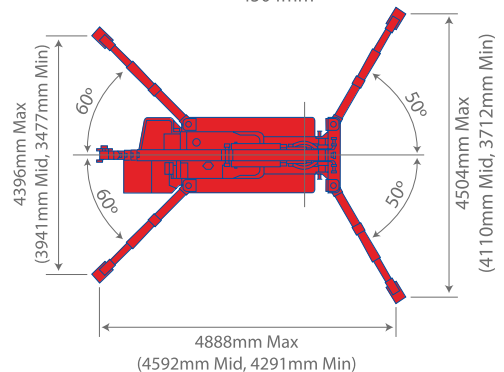
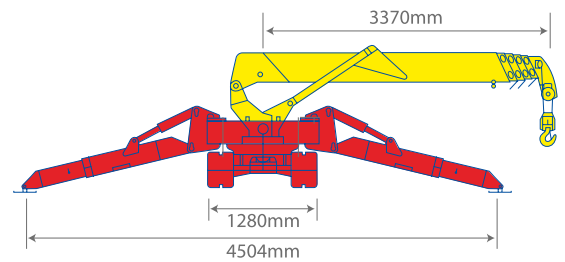
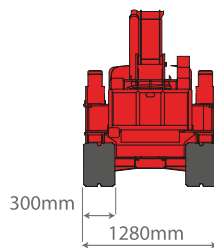
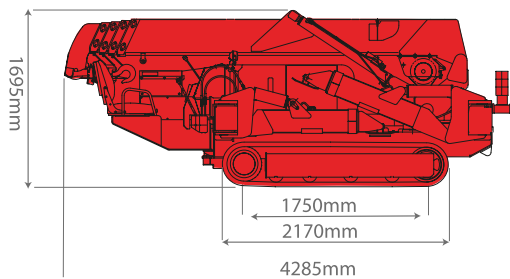


Diagram shows outriggers at maximum position