

# LIFT

## MFC-750 K/KS



- Max lifting capacity 750kg
- Max lifting height 3.05m
- Perfect for use in confined spaces
- Quick disassembly for ease of use and fast transport
- Lockable wheels



MFC750 K

MFC750 KS

750kg

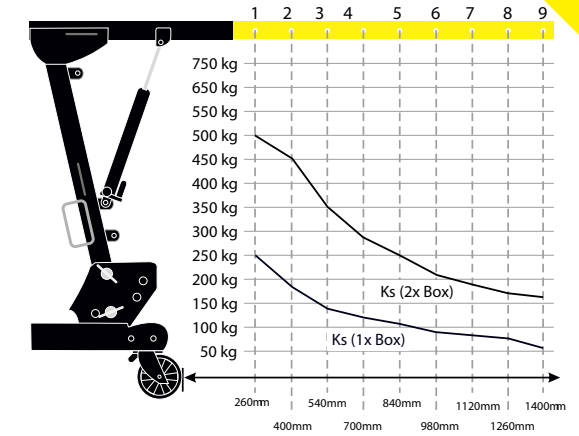
Technical Specifications		MFC750 KS	MFC750 K
Lighting Height	(Below the hook)	3.05m	3.05m
Transport Position	(Height x Length x Width <sup>2</sup> )	1.00-1.92m x 1.20m x 0.65m	1.00-1.92m x 1.20m x 0.65m
Working Position	(Height x Length <sup>1</sup> x Width <sup>2</sup> )	1.92m x 1.20m x 0.65m	1.92m x 1.80m x 0.65m
Loading Height min:		0.85m	0.85m
Boom extension	Each position	120mm	120mm
Boom Length	Max	1.20m	1.20m
Capacity max.	(Distance from front wheel : hook = 0.52m)	500kg	750kg
Weight of chassis incl. boom <sup>3</sup>		160kg	160kg
Weight of counterweights	(28 x 16kg) incl. 2 Boxes	490kg	490kg



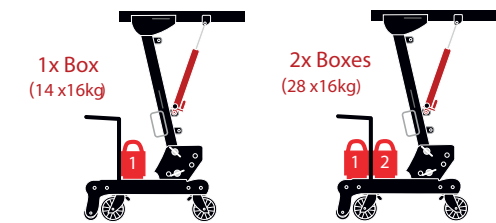
### MFC750 K/KS ADJUSTABLE MINI FLOOR CRANE PAYLOADS – STANDARD WHEELS

MFC750 KS

LOAD POSITION	DISTANCE WHEEL TO LOAD	KS 1X BOX (14 X 16KG)	KS 2X BOX (28 X 16KG)
1	260mm	250kg	500kg
2	400mm	185kg	450kg
3	540mm	147kg	350kg
4	700mm	120kg	290kg
5	840mm	105kg	250kg
6	980mm	90kg	215kg
7	1120mm	80kg	190kg
8	1260mm	70kg	170kg
9	1400mm	60kg	160kg

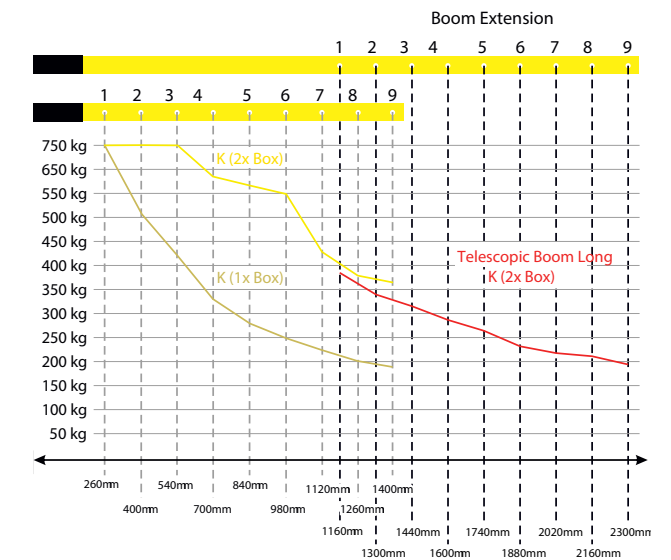


#### COUNTERWEIGHT BOX POSITION



MFC750 K

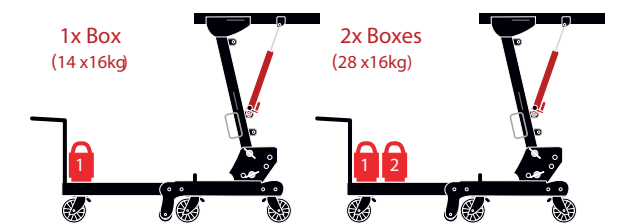
LOAD POSITION	DISTANCE WHEEL TO LOAD	KS 1X BOX (14 X 16KG)	KS 2X BOX (28 X 16KG)
1	260mm	250kg	500kg
2	400mm	185kg	450kg
3	540mm	147kg	350kg
4	700mm	120kg	290kg
5	840mm	105kg	250kg
6	980mm	90kg	215kg
7	1120mm	80kg	190kg
8	1260mm	70kg	170kg
9	1400mm	60kg	160kg



#### BOOM EXTENSION

	BOOM EXTENSION	
1	1160mm	382kg
2	1300mm	345kg
3	1440mm	311kg
4	1600mm	281kg
5	1740mm	262kg
6	1880mm	243kg
7	2020mm	225kg
8	2160mm	213kg
9	2300mm	198kg

#### COUNTERWEIGHT BOX POSITION

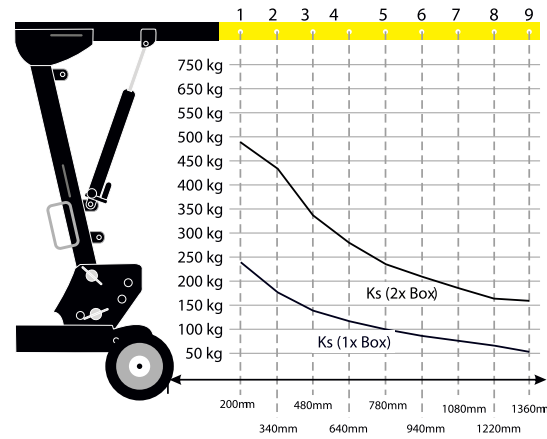


# LIFT MFC-750 K/KS

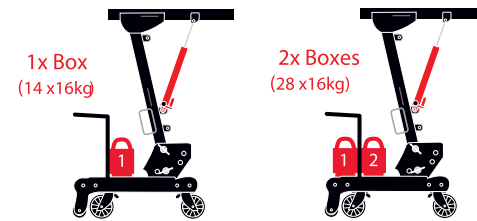
MFC750 K/KS ADJUSTABLE MINI FLOOR CRANE  
PAYLOADS – OUTDOOR WHEELS

MFC750 KS

LOAD POSITION	DISTANCE WHEEL TO LOAD	KS 1X BOX (14 X 16KG)	KS 2X BOX (28 X 16KG)
1	200mm	240kg	490kg
2	340mm	175kg	440kg
3	480mm	140kg	340kg
4	640mm	115kg	280kg
5	780mm	100kg	240kg
6	940mm	85kg	210kg
7	1080mm	75kg	185kg
8	1220mm	65kg	165kg
9	1360mm	55kg	160kg



### COUNTERWEIGHT BOX POSITION

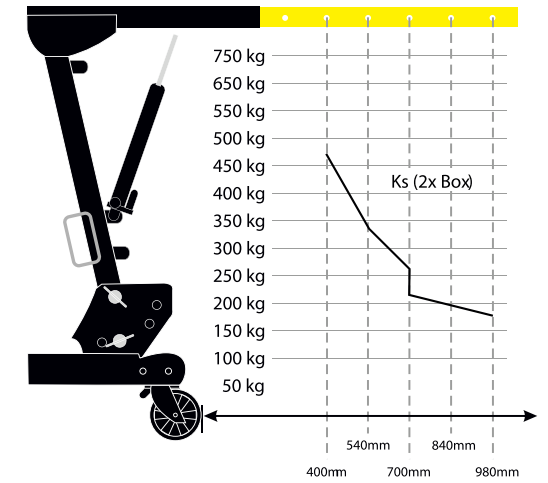


# LIFT MFC-750 K/KS

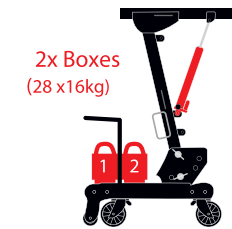
MFC750 K/KS ADJUSTABLE MINI FLOOR CRANE  
PAYLOADS – DYNAMIC PAYLOAD WITH ANY FORM OF WINCH / HOIST

MFC750 KS

LOAD POSITION	DISTANCE WHEEL TO LOAD	KS 2X BOX (28 X 16KG)
1	400mm	463kg
2	540mm	345kg
3	700mm	263kg
4	840mm	215kg
5	980mm	185kg

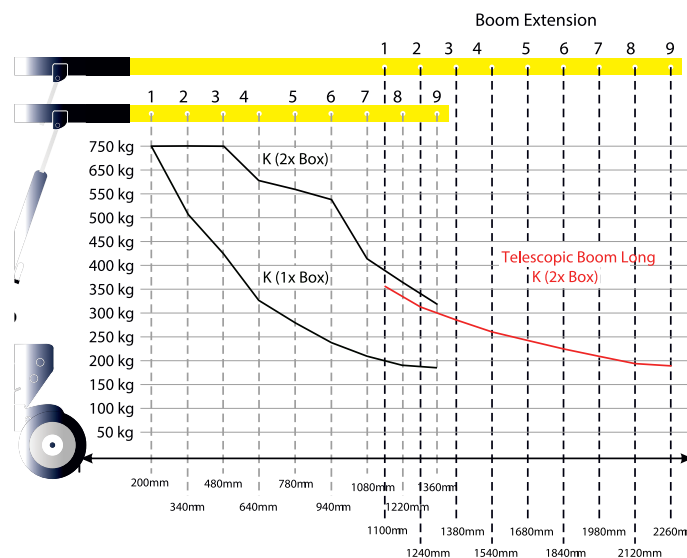


### COUNTERWEIGHT BOX POSITION

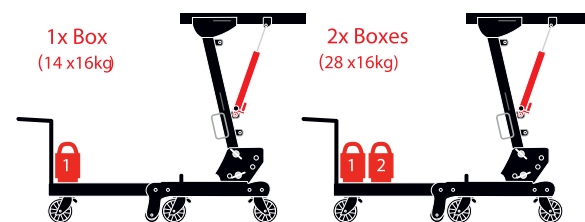


MFC750 K

LOAD POSITION	DISTANCE WHEEL TO LOAD	KS 1X BOX (14 X 16KG)	KS 2X BOX (28 X 16KG)
1	200mm	250kg	500kg
2	340mm	185kg	450kg
3	480mm	147kg	350kg
4	640mm	120kg	290kg
5	780mm	105kg	250kg
6	940mm	90kg	215kg
7	1080mm	80kg	190kg
8	1220mm	70kg	170kg
9	1360mm	60kg	160kg

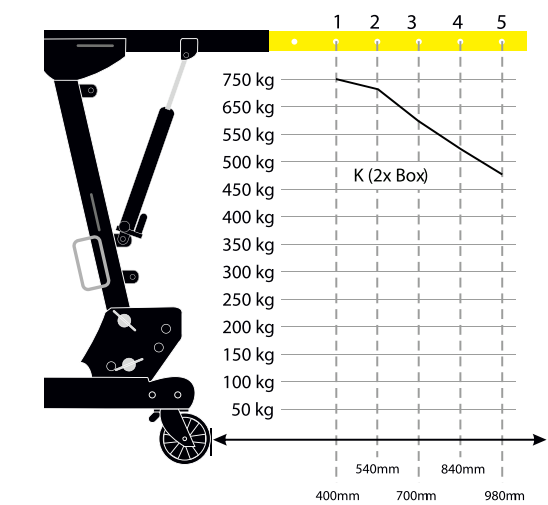


### COUNTERWEIGHT BOX POSITION

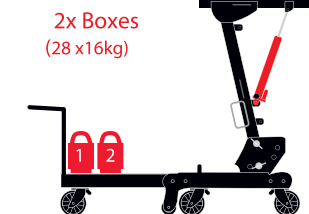


MFC750 K

LOAD POSITION	DISTANCE WHEEL TO LOAD	KS 2X BOX (28 X 16KG)
1	400mm	750kg
2	540mm	733kg
3	700mm	617kg
4	840mm	538kg
5	980mm	471kg



### COUNTERWEIGHT BOX POSITION



### BOOM EXTENSION

LOAD POSITION	BOOM EXTENSION	KS 2X BOX (28 X 16KG)
1	1100mm	352kg
2	1240mm	318kg
3	1380mm	288kg
4	1540mm	262kg
5	1680mm	243kg
6	1840mm	225kg
7	1980mm	210kg
8	2120mm	198kg
9	2260mm	187kg